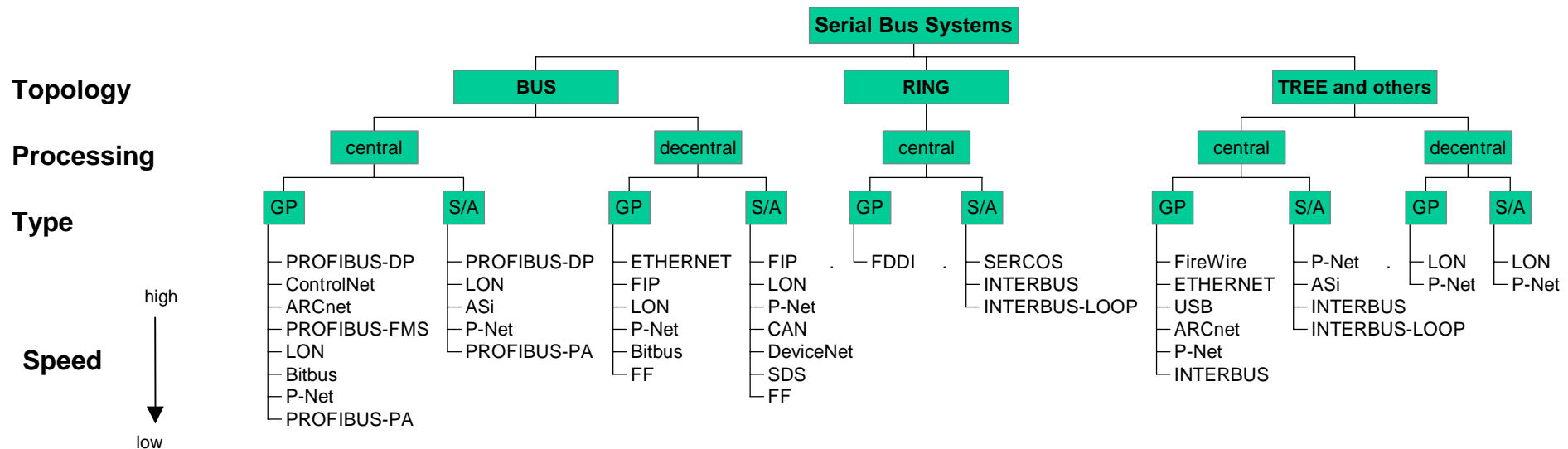


Classification of Serial Bus Systems



GP: general purpose S/A: sensor / actor